



# HGW-802S-PSE

8x 10/100/1000Base-Tx & 2x 1000Base-X SFP Industrial Switch with 240W of PoE power

The HGW-802S-PSE is an 8 port Gigabit Ethernet 10/100/1000Base-Tx and 2 port 1000Base-X non-managed Industrial Ethernet PoE PSE Switch providing PoE+ 30W per port power, with a total power budget of 240W, hardened for extreme operating temperatures: -40 to +75 Celsius. Industrial Switches are housed in IP40 rated rugged metal housings designed to operate in difficult conditions, including mechanically and electrically extreme environments. All Industrial switches have strong surge protection (4kV~8kV) per port, depending on models and strict compliance with IEC and EN standards for industrial grade equipment.

## Features

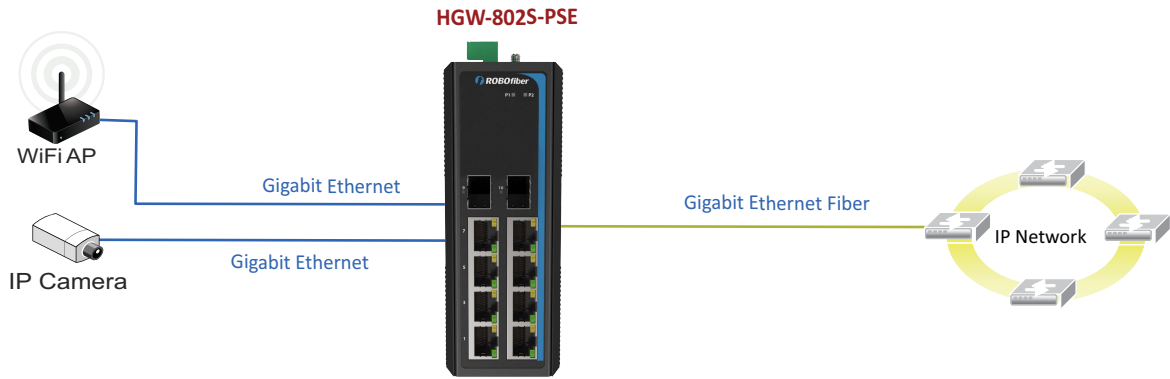
- DC power input block 48-52V
- Extreme operating temperature: -40 to +75 Celsius
- Rugged IP40 rated metal casing with DIN rail bracket
- Store and Forward switching mechanism
- Reversed power polarity protection
- Auto-Negotiation & Auto MDI/MDI-X on every RJ45 port
- Supports 6kV surge protection per port on all TP ports for PoE models
- Supports IEEE 802.1Q Tag VLAN pass thru
- Redundant DC power inputs on every model
- 240W total PoE power budget: 30W 802.3af/at per port

## Specifications

<b>IEEE Standard</b>	IEEE 802.3 10Base-T Ethernet IEEE 802.3u 100Base-TX and 100Base-FX Fast Ethernet IEEE 802.3ab 1000Base-T and 1000Base-X Gigabit Eth. IEEE 802.3x Flow Control and Back Pressure
<b>Switch Architecture</b>	Back-plane (Switching Fabric): 20 Gbps
<b>Data Processing</b>	Store and Forward
<b>Flow Control</b>	IEEE 802.3x flow control, back pressure flow control
<b>Provides Broadcast Storm Protection</b>	Present
<b>MAC Address Table</b>	4K
<b>Packet Buffer Size</b>	2MB
<b>Ports</b>	8 x RJ-45 2 x 1000Base-X SFP slot 10/100/1000Base-TX auto negotiation speed, Auto MDI/MDI-X function, Full/Half duplex
<b>Network Cable</b>	10Base-T: 2-pair UTP/STP Cat.5 cable 100Base-TX: 2-pair UTP/STP Cat. 5 cable 1000Base-T: 4-pair UTP/STP Cat. 5e cable EIA/TIA-568 100-ohm (100m)
<b>Protocols</b>	CSMA/CD
<b>LED</b>	Per unit: PWR (Green) LNK/ACT (Green - Fiber port status and activity) Per port: Link/Active (Green), Speed/100 (Yellow)
<b>Reverse Polarity Protection</b>	Present
<b>Overload Current Protection</b>	Present
<b>Power Supply</b>	Redundant Dual DC48V (48~52VDC) Input power (Removable Terminal Block)
<b>PoE Specs</b>	PoE+ PSE device: IEEE 802.3af/at, up to 30W per port 240W total PoE budget
<b>Power Consumption</b>	<250W (at full PSE capacity)
<b>Alarm Relay Contact</b>	Relay outputs with current carrying capacity of 1 A @24VDC, NC
<b>Removable Terminal Block</b>	Provide 2 Redundant power, Alarm relay contact, 6 Pin
<b>Operating Temperature</b>	-40 ~ 75°C

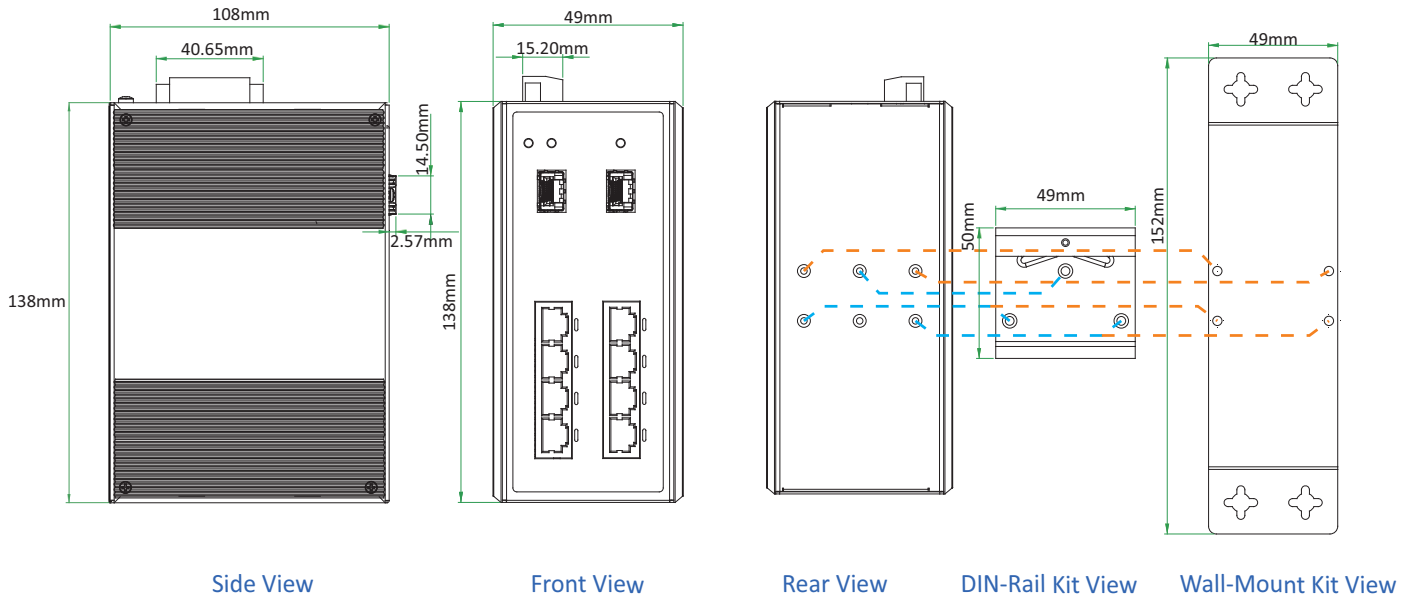
<b>Operating Humidity</b>	5% to 95% (Non-condensing)
<b>Storage Temperature</b>	-40 ~ 85°C
<b>Housing</b>	Rugged Metal, IP40 Protection
<b>Dimensions</b>	108 x 49 x 138mm (D x W x H)
<b>Weight</b>	0.65kg
<b>Installation Mounting</b>	DIN Rail mounting or wall mounting
<b>EMI</b>	FCC Part 15 Subpart B Class A, CE EN 55022 Class A EN61000-6-4 – Emission for industrial environment
<b>EMS</b>	EN61000-6-2 – Immunity for Industrial environment EN61000-4-2 (ESD) Level 3, Criteria B EN61000-4-3 (RS) Level 3, Criteria A EN61000-4-4 (Burst) Level 3, Criteria A EN61000-4-5 (Surge) Level 3, Criteria B EN61000-4-6 (CS) Level 3, Criteria A EN61000-4-8 (Magnetic Field) Level 3, Criteria A
<b>Traffic control</b>	NEMA-TS2
<b>Rail Traffic</b>	EN50121-4
<b>Shock</b>	IEC 60068-2-27
<b>Freefall</b>	IEC 60068-2-32
<b>Vibration</b>	IEC 60068-2-6
<b>MTBF</b>	120,000Hrs
<b>Warranty</b>	3 years

## Application



**HGW-802S-PSE Gigabit Ethernet Switch Application**

## Dimensions



## Ordering Information

Model Name	Description
HGW-802S-PSE	8x 10/100/1000Base-Tx & 2x 1000Base-X SFP Non-managed Industrial Switch with 240W of PoE PSE, Extreme Temp. (-40~75 Celsius)