



## POE-01-DIN

10/100/1000Base-Tx interface surge protector with built-in DIN rail mounting bracket and PoE pass through

The POE-01-DIN Surge Protector is designed for direct install into Cat 6 or lower category structured cabling. Unit provides protection all 8 wires of the data cable for surges, while supporting Full Gigabit network speed signals (as well as 10/100 speeds). The surge protector is designed to allow pass through of voltages up to 57V to allow PoE power to be delivered through the structured cabling.

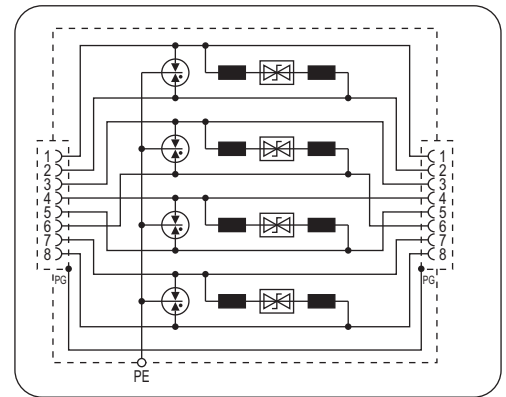
### Features

- supports 10/100/1000Base-Tx speeds
- PoE voltage pass-through
- two RJ45 female connectors for easy in-line installation
- built-in TS-35 35mm DIN rail mounting bracket
- Operating temp.: -40 to +80 deg. Celsius

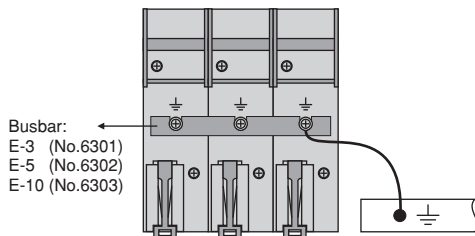
### Specs and Diagram

Nominal voltage	$U_N$	48V-
Rated voltage (max. continuous voltage)	$U_C$	48V - / 34V~
Max. continuous voltage (PoE)	$U_C$	57V-
Nominal current	$I_L$	1A
Nominal discharge current (8/20)	$I_n$	0.15kA (line-line)    2.5kA (line-PG)
Total nominal discharge current (8/20)	$I_n$	10KA (line-PG)
Nominal discharge current (8/20) (PoE)	$I_n$	0.15kA (pair-pair)
Voltage protection level at $I_n$	$U_p$	≤ 190V (line-line)    ≤ 600V (line-PG)
Voltage protection level at $I_n$ (PoE)	$U_p$	≤ 600V (line-line)
Transmission frequency	$f_g$	500MHz
Insertion loss at 250MHz	$a_E$	≤ 2dB
Capacitance	$C$	≤ 165pF (line-line)    ≤ 255pF (line-PG)
Operating temperature range		-40°C...+80°C
Connection		RJ45 shield (input / output)
Shield earthing		Screw terminal
Mounting on		35mm DIN rail
Enclosure material		Aluminum
Test standards		IEC 61643-21; GB 18802.21; YD/T 1542
Certification		CE (LVD,EMC)

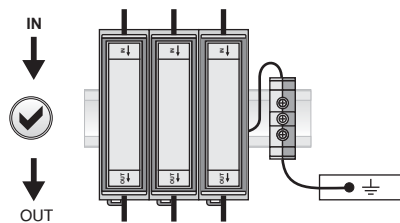
Circuit diagram:



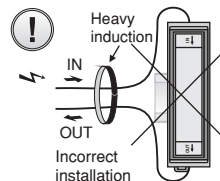
### Application



Multiple products installation, busbar E-3, E-5 or E-10 can be used to combine all the earth terminals to earth.



Note: Input cable and output cable must be laid out separately, otherwise it will cause interference!



### Ordering Information

Model Name	Description
POE-01-DIN	10/100/1000Base-Tx Ethernet Surge Protector with PoE pass through and built-in DIN rail mounting bracket