

# EtherNET Surge Protector

# SPD

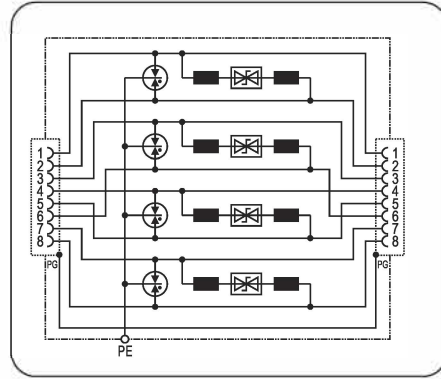
## POE-01-DIN67

for Gigabit Ethernet / PoE Network system Protector with 35mm DIN rail

RJ45 / CAT6 NET Protector with IP67 water resistant enclosure



Basic circuit diagram:



## • Technical data

Type		POE-01-DIN67
Nominal voltage	$U_N$	48V-
Rated voltage (max. continuous voltage)	$U_C$	48V- / 34V ~
Max. continuous voltage (PoE)	$U_C$	57V-
Nominal current	$I_L$	1A
Nominal discharge current (8/20 $\mu$ s)	$I_n$	0.15kA (line-line)    2.5kA (line-PG)
Total max. discharge current (8/20 $\mu$ s)	$I_{max}$	10KA
Nominal discharge current (8/20 $\mu$ s) (PoE)	$I_n$	0.15kA (pair-pair)
Voltage protection level at $I_n$	$U_p$	$\leq 190V$ (line-line) $\leq 600V$ (line-PG)
Voltage protection level at $I_n$ (PoE)	$U_p$	$\leq 600V$ (line-line)
Transmission frequency	$f_G$	500MHz
Data transmission rates	$V_s$	1000MBit/s
Insertion loss at 250MHz	$a_e$	$\leq 2dB$
Capacitance	$C$	$\leq 165pF$ (line-line) $\leq 255pF$ (line-PG)
Operating temperature range		-40°C...+80°C
Shield earthing		Screw terminal
Mounting on		35mm DIN rail
Enclosure material		Aluminum
Waterproof protection		IP67
Test standards		IEC 61643-21; GB/T 18802.21
Certification		CE (LVD, EMC); Rohs

## • Product introduction

### 1. Summary

POE-01-DIN67 is for installation at L2P 0<sub>b</sub>-2 and higher interface or directly installed near the equipment; according to IEC standard for CAT 6 or Class E integrated wiring system; all the industrial Ethernet 10M, 100M, 1Gbit network surge protection 802.3af/at.

### 2. Main character

- For protecting computer data transmission system, network system and so on
- Good discharge capacity, low voltage protection level
- Quick response, high transmission speed, low signal attenuation
- RJ45 connection, easy for installation

### 3. Application

POE-01-DIN67 is applied in offices and industries like Gigabit Ethernet, ATM or ISDN system, and like VoIP or PoE system can be protected. (e.g. Switch, router, HUB, modem and so on)

### 4. Application environment

- Temperature: -40°C ~ +80°C
- Relative humidity:  $\leq 95\%$  (25°C)

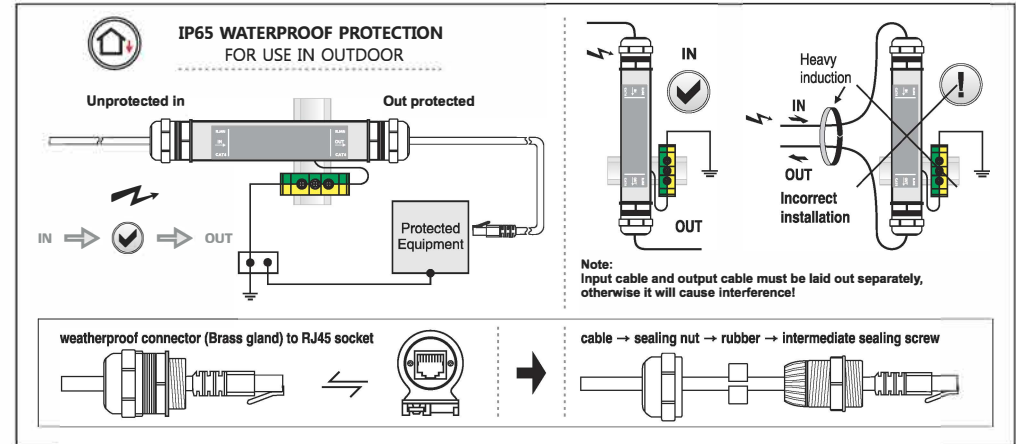
## • Installation instruction

1. This product is connected in series to the protected device.
2. Mount the SPD on 35 mm DIN rail.
3. Install waterproof connector RJ45 plug interface, for connection SPD's IN and OUT terminal RJ45 socket; The OUT terminal cable should be connected to the protected devices.
4. SPD's earthing terminal must be connected to nearby earthing BusBar or the metal earthing enclosure of the protected device.
5. After above, you should ensure the circuit is functioning.

Regularly inspect the operating status, especially after lightning.

Once the communication is off, electrician should check/replace the SPD.

### POE-01-DIN67 installation diagram :



**WARNING:**

1. The device must be installed by electrically skilled person, conforming to national standards and safety regulations.
2. It is recommended that installation should be done under power off condition.