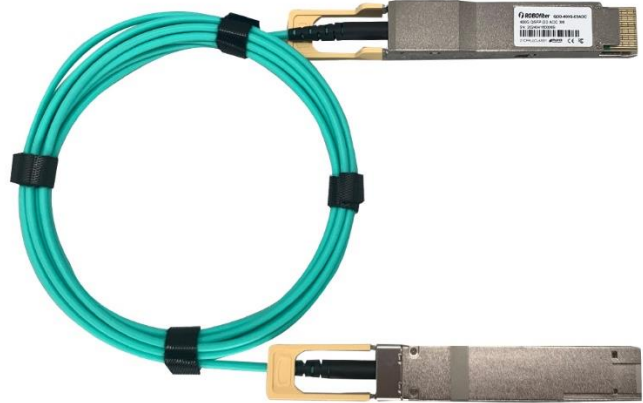


## QDD-400G-xxAOC Cable

### Features

- Hot-pluggable QSFP-DD form factor
- Case temperature range of 0°C to +70°C
- +3.3V single power supply
- Power dissipation < 10W per terminal
- Operating case temp  
Commercial: 0°C to +70 °C
- 8x50G PAM4 retimed 400GUA1-8  
electrical interface aligned with IEEE 802.3bs
- RoHS compliant



### Applications

- 200GAUI-4
- Other 400G optical links

### Order Information

Table 1-Order Information

Part No.	Bit Rate (Gbps)	Modulation	Distance	Fiber Type	DDMI	Connector	Temp <sup>note1</sup>
QDD-400G-xxAOC	8x50	PAM4	xx=0.5~50m	MMF	YES	N/A	0°C~+70°C

Note:1 Case Temperature

### Absolute Maximum Ratings

Table2- Absolute Maximum Ratings

Parameter	Symbol	Min.	Typical	Max.	Unit	Notes
Supply Voltage	V <sub>CC3</sub>	-0.5	-	+3.6	V	
Storage Temperature	T <sub>s</sub>	-10	-	+70	°C	
Operating Humidity	RH	+5	-	+85	%	1

Note:1 No condensation

## Recommended Operating Conditions

Table 3- Recommended operating Conditions

Parameter	Symbol	Min.	Typical	Max.	Unit	Notes
Operating Case Temperature	T <sub>c</sub>	0	-	+70	°C	
Power Supply Voltage	V <sub>cc</sub>	3.135	3.3	3.465	V	
Power Dissipation	P <sub>d</sub>	-	-	10	W	1
Bit Rate	BR	-	26.5625	-	GBaud	2

**Note:**

- 1 Per terminal
- 2 Per channel, PAM4

## Characteristics

Table 4- Electrical Characteristics

Parameter	Symbol	Unit	Min	Typ	Max	Notes
<b>Transmitter</b>						
Signaling rate (each lane)	SR	GBaud	26.5625 ± 100 ppm			
Differential data input voltage per lane	V <sub>in,pp,diff</sub>	mV	900	-	-	
Differential termination mismatch	-	%	-	-	10	
Single-ended voltage tolerance range	-	V	-0.4	-	3.3	
DC common mode voltage	-	mV	-350	-	2850	
<b>Receiver</b>						
Signaling rate (each lane)	SR	GBaud	26.5625 ± 100 ppm			
Differential output voltage	-	mV	-	-	900	
Near-end ESMW (Eye symmetry mask width)	-	UI	0.265	-	-	
Near-end Eye height, differential (min)	-	mV	70	-	-	
Far-end ESMW (Eye symmetry mask width)	-	UI	0.2	-	-	
Far-end Eye height, differential (min)	-	mV	30	-	-	
Differential termination mismatch	-	%	-	-	10	
Transition time (min, 20% to 80%)	-	ps	9.5	-	-	
DC common mode voltage	-	mV	-350	-	2850	
Bit Error Ratio	-	-	-	-	2.4E-4	1

**Note:**

- 1 Pattern PRBS31Q

Recommended Interface

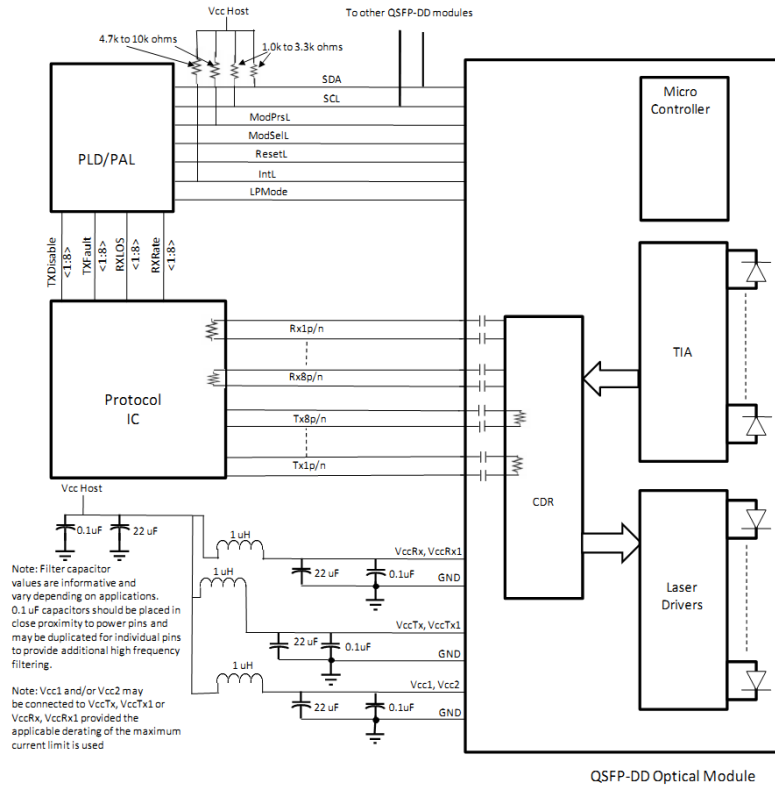


Figure 1, Recommended Interface Circuit

Pin Arrangement

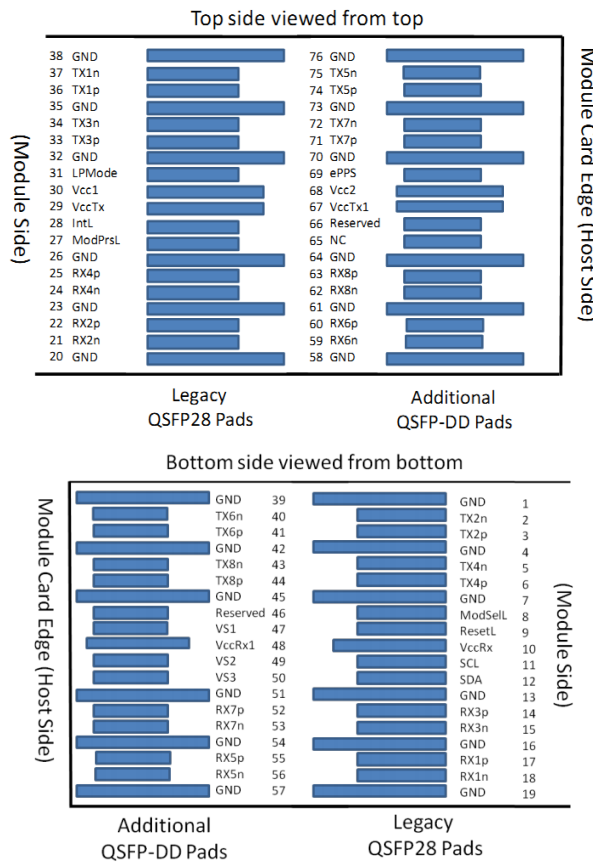


Figure 2, Pin View

**Table 6-Pin Function Definitions**

Pad	Logic	Symbol	Description	Plug Sequence <sup>4</sup>	Notes
1		GND	Ground	1B	1
2	CML-I	Tx2n	Transmitter Inverted Data Input	3B	
3	CML-I	Tx2p	Transmitter Non-Inverted Data Input	3B	
4		GND	Ground	1B	1
5	CML-I	Tx4n	Transmitter Inverted Data Input	3B	
6	CML-I	Tx4p	Transmitter Non-Inverted Data Input	3B	
7		GND	Ground	1B	1
8	LVTTL-I	ModSelL	Module Select	3B	
9	LVTTL-I	ResetL	Module Reset	3B	
10		VccRx	+3.3V Power Supply Receiver	2B	2
11	LVCNOS-I/O	SCL	2-wire serial interface clock	3B	
12	LVCNOS-I/O	SDA	2-wire serial interface data	3B	
13		GND	Ground	1B	1
14	CML-O	Rx3p	Receiver Non-Inverted Data Output	3B	
15	CML-O	Rx3n	Receiver Inverted Data Output	3B	
16		GND	Ground	1B	1
17	CML-O	Rx1p	Receiver Non-Inverted Data Output	3B	
18	CML-O	Rx1n	Receiver Inverted Data Output	3B	
19		GND	Ground	1B	1
20		GND	Ground	1B	1
21	CML-O	Rx2n	Receiver Inverted Data Output	3B	
22	CML-O	Rx2p	Receiver Non-Inverted Data Output	3B	
23		GND	Ground	1B	1
24	CML-O	Rx4n	Receiver Inverted Data Output	3B	
25	CML-O	Rx4p	Receiver Non-Inverted Data Output	3B	
26		GND	Ground	1B	1
27	LVTTL-O	ModPrsL	Module Present	3B	
28	LVTTL-O	IntL	Interrupt	3B	
29		VccTx	+3.3V Power supply transmitter	2B	2
30		Vcc1	+3.3V Power supply	2B	2
31	LVTTL-I	LPMODE	Low Power mode;	3B	
32		GND	Ground	1B	1
33	CML-I	Tx3p	Transmitter Non-Inverted Data Input	3B	
34	CML-I	Tx3n	Transmitter Inverted Data Input	3B	
35		GND	Ground	1B	1
36	CML-I	Tx1p	Transmitter Non-Inverted Data Input	3B	
37	CML-I	Tx1n	Transmitter Inverted Data Input	3B	
38		GND	Ground	1B	1
39		GND	Ground	1A	1
40	CML-I	Tx6n	Transmitter Inverted Data Input	3A	
41	CML-I	Tx6p	Transmitter Non-Inverted Data Input	3A	
42		GND	Ground	1A	1
43	CML-I	Tx8n	Transmitter Inverted Data Input	3A	
44	CML-I	Tx8p	Transmitter Non-Inverted Data Input	3A	
45		GND	Ground	1A	1
46		Reserved	For future use	3A	3
47		VS1	Module Vendor Specific 1	3A	3
48		VccRx1	3.3V Power Supply	2A	2
49		VS2	Module Vendor Specific 2	3A	3
50		VS3	Module Vendor Specific 3	3A	3
51		GND	Ground	1A	1
52	CML-O	Rx7p	Receiver Non-Inverted Data Output	3A	
53	CML-O	Rx7n	Receiver Inverted Data Output	3A	
54		GND	Ground	1A	1
55	CML-O	Rx5p	Receiver Non-Inverted Data Output	3A	
56	CML-O	Rx5n	Receiver Inverted Data Output	3A	
57		GND	Ground	1A	1
58		GND	Ground	1A	1
59	CML-O	Rx6n	Receiver Inverted Data Output	3A	
60	CML-O	Rx6p	Receiver Non-Inverted Data Output	3A	
61		GND	Ground	1A	1
62	CML-O	Rx8n	Receiver Inverted Data Output	3A	
63	CML-O	Rx8p	Receiver Non-Inverted Data Output	3A	
64		GND	Ground	1A	1
65		NC	No Connect	3A	3
66		Reserved	For future use	3A	3
67		VccTx1	3.3V Power Supply	2A	2
68		Vcc2	3.3V Power Supply	2A	2
69	LVTTL-I	ePPS	Precision Time Protocol (PTP) reference clock input	3A	3
70		GND	Ground	1A	1
71	CML-I	Tx7p	Transmitter Non-Inverted Data Input	3A	
72	CML-I	Tx7n	Transmitter Inverted Data Input	3A	
73		GND	Ground	1A	1
74	CML-I	Tx5p	Transmitter Non-Inverted Data Input	3A	
75	CML-I	Tx5n	Transmitter Inverted Data Input	3A	
76		GND	Ground	1A	1

**Note: 1. The circuit ground is internally isolated from chassis ground.**

Compatible with QSFP-DD CMIS rev 4.0.

**Mechanical**

QDD-400G-xxAOC connectors are compatible with the QSFP-DD Type 2 Specification for pluggable form factor modules.

**Unit mm**

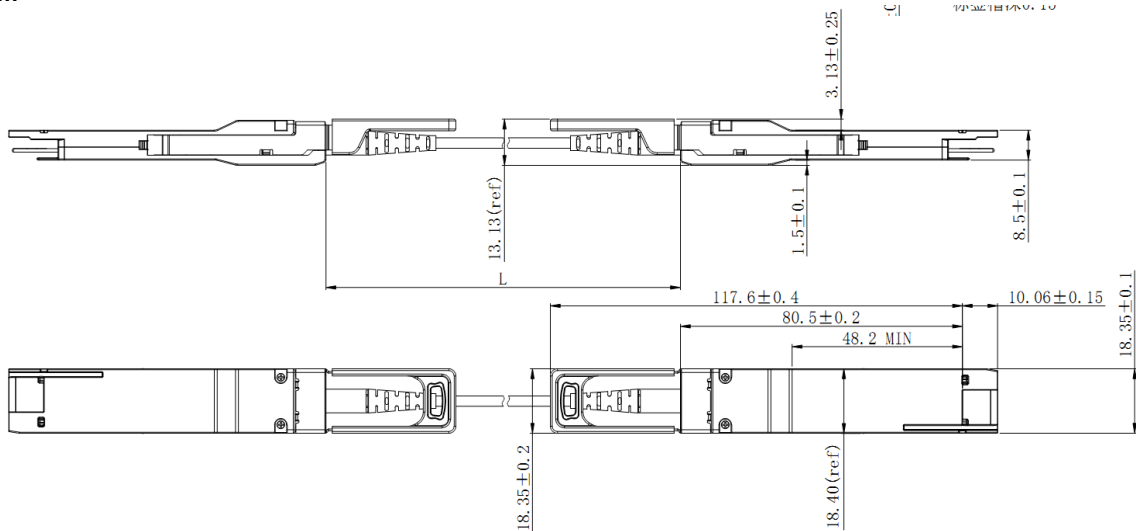


Figure 5. Mechanical Diagram

Table 6- Cable Length

Cable Length (Unit: m)	Tolerant (Unit: cm)
<1.0	+5/-0
1.0~4.5	+15/-0
5.0~14.5	+30/-0
≥15.0	+2%/-0

**Warnings**

**Handling Precautions:** This device is susceptible to damage as a result of electrostatic discharge (ESD). A static free environment is highly recommended. Follow guidelines according to proper ESD procedures.

**Laser Safety:** Radiation emitted by laser devices can be dangerous to human eyes. Avoid eye exposure to direct or indirect radiation.

**Contact:**

E-mail: [sales@robofiber.com](mailto:sales@robofiber.com)

Web: [www.robofiber.com](http://www.robofiber.com)

Address: 3000F Danville Blvd, Alamo, CA 94507 USA